

AI 16 -12 BU - Ferrule

3200564

<https://www.phoenixcontact.com/ro/produse/3200564>



Vă rugăm să țineți cont de faptul că datele afișate în acest document PDF au fost generate din catalogul nostru online. Datele complete sunt disponibile în documentația pentru utilizator. În cazul descărcărilor, se aplică Termenii și condițiile generale de utilizare ale companiei noastre.

Ferrule, Length contact range: 12 mm, sleeve length: 24 mm, color: blue



Avantajele dumneavoastră

- The insulation reliability of close connections is increased and the splicing of wires is prevented
- The ferrules with plastic sleeve are made from soft tin-plated electrolytic copper

Date tehnic

Product properties

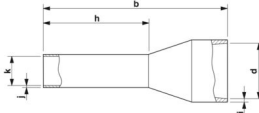
| | |
|--------------------|---|
| Product type | Cable end sleeve |
| Set comprises | 1202580 CRIMPSET 25 |
| Conductor category | stranded conductors, class 2, 5, 6 / B, C, K, M |
| Product property | <ul style="list-style-type: none"> UL certified Made from soft tin-plated electrolytic copper Correspond to the requirements of DIN 46228-1 and UL 486F in terms of size Plastic collar made of polypropylene Halogen-free Long/short-term temperature: +105°C/+120°C |

Connection data

Conductor connection

| | |
|---------------------------------------|--------------------|
| Conductor cross section flexible max. | 16 mm ² |
| Conductor cross section AWG max. | 6 |
| Stripping length | 16 mm |

Dimensions

| | |
|---|--|
| Dimensional drawing |  |
| Sleeve length | 24 mm |
| Length contact range | 12 mm |
| Maximum stripping length | 16 mm |
| Ferrule diameter | 5.8 mm |
| Sleeve wall thickness | 0.2 mm |
| Insulating collar thickness | 0.4 mm |
| Inner dimensions of the insulating collar | 8.8 mm |

Material specifications

| | |
|--|--------------------------------|
| Color | blue (RAL 5015) |
| Material | CU-DHP |
| Flammability rating according to UL 94 | HB |
| Coating | galvanically tin-plated |
| Surface characteristics | Tin-plated |
| Components | free from silicone and halogen |

Mechanical properties

AI 16 -12 BU - Ferrule



3200564

<https://www.phoenixcontact.com/ro/produse/3200564>

Technical data

| | |
|---------------|-------|
| Sleeve length | 24 mm |
|---------------|-------|

Environmental and real-life conditions

Ambient conditions

| | |
|------------------------|---|
| Permanent temperature | 105 °C (-40 °C no load / 0 °C dynamic load) |
| Short-term temperature | 120 °C |

Standards and regulations

| | |
|------------------------------|------------------------|
| Design according to standard | DIN 46228-4, UL 486F-E |
|------------------------------|------------------------|

Phoenix Contact 2025 © - Toate drepturile rezervate
<https://www.phoenixcontact.com>

PHOENIX CONTACT România
Splaiul Unirii 165 Timpuri Noi Square TNO1, Etaj 1
Bucuresti 030133
+40 21 350 88 12 - 3
sales.ro@phoenixcontact.com