

# AI 25 -16 BK - Ferrule

3200412

<https://www.phoenixcontact.com/ro/produse/3200412>



Vă rugăm să țineți cont de faptul că datele afișate în acest document PDF au fost generate din catalogul nostru online. Datele complete sunt disponibile în documentația pentru utilizator. În cazul descărcărilor, se aplică Termenii și condițiile generale de utilizare ale companiei noastre.

---

Ferrule, Length contact range: 16 mm, sleeve length: 30 mm, color: black



---

## Avantajele dumneavoastră

- In terms of dimensions, these ferrules conform to DIN 46228-4: 1990-09
- The color code of the plastic insulating collar is based on the French standard NF C 63-023: 1994-02
- The metal sleeves are made from soft tin-plated electrolytic copper

# AI 25 -16 BK - Ferrule

3200412

<https://www.phoenixcontact.com/ro/produse/3200412>

## Date tehnice

### Product properties

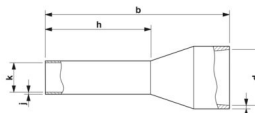
Product type	Cable end sleeve
Conductor category	stranded conductors, class 2, 5, 6 / B, C, K, M
Product property	UL certified
	Made from soft tin-plated electrolytic copper
	Correspond to the requirements of DIN 46228-1 and UL 486F in terms of size
	Plastic collar made of polypropylene
	Halogen-free
Long/short-term temperature: +105°C/+120°C	

### Connection data

#### Conductor connection

Conductor cross section flexible max.	25 mm <sup>2</sup>
Conductor cross section AWG max.	4
Stripping length	20 mm

### Dimensions

Dimensional drawing	
Sleeve length	30 mm
Length contact range	16 mm
Maximum stripping length	20 mm
Ferrule diameter	7.3 mm
Sleeve wall thickness	0.2 mm
Insulating collar thickness	0.5 mm
Inner dimensions of the insulating collar	11 mm

### Material specifications

Color	black (RAL 9005)
Material	CU-DHP
Flammability rating according to UL 94	HB
Coating	galvanically tin-plated
Surface characteristics	Tin-plated
Components	free from silicone and halogen

### Mechanical properties

#### Technical data

# AI 25 -16 BK - Ferrule



3200412

<https://www.phoenixcontact.com/ro/produse/3200412>

Sleeve length	30 mm
---------------	-------

## Environmental and real-life conditions

### Ambient conditions

Permanent temperature	105 °C (-40 °C no load / 0 °C dynamic load)
Short-term temperature	120 °C

## Standards and regulations

Design according to standard	UL 486F-E, NF C 63-023
------------------------------	------------------------

Phoenix Contact 2025 © - Toate drepturile rezervate  
<https://www.phoenixcontact.com>

PHOENIX CONTACT România  
Splaiul Unirii 165 Timpuri Noi Square TNO1, Etaj 1  
Bucuresti 030133  
+40 21 350 88 12 - 3  
[sales.ro@phoenixcontact.com](mailto:sales.ro@phoenixcontact.com)